

ANF1

Buffered Mount 7.62 mm

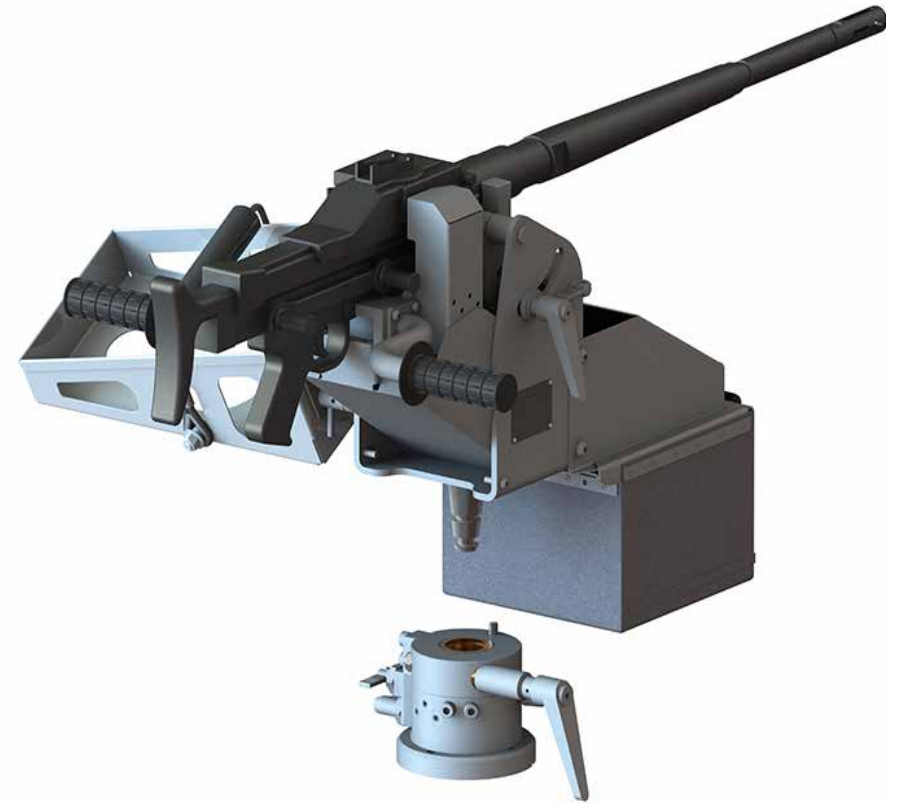
IDENTIFICATION

AEI Part No.	Description
--------------	-------------

- | | |
|-------------|--|
| ■ AEI-10514 | Mount Buffered 7.62 mm ANF1 (Long bag) |
| ■ AEI-11691 | Mount Buffered 7.62 mm ANF1 (Short bag) |
| ■ AEI-12356 | Mount Buffered G3 Cone & Receiver 7.62 mm ANF1 (Long bag) |
| ■ AEI-12357 | Mount Buffered G3 Cone & Receiver 7.62 mm ANF1 (Short bag) |

Comprising:

- | | |
|-------------|---|
| ■ AEI-12350 | Mount Buffered G3 Cone 7.62 mm ANF1 (Long bag) or |
| ■ AEI-12351 | Mount Buffered G3 Cone 7.62 mm ANF1 (Short bag) |
| ■ AEI-12344 | Receiver G3 Cone Type 1 |



Focused Technology Skilled Engineering



ANF1

Buffered Mount 7.62 mm

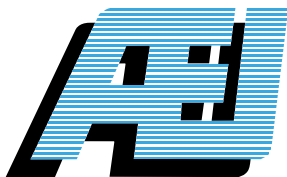


SPECIFICATION

Weight:	17 kgf (excluding weapon, ammunition)
Ready rounds:	400
Elevation Arc:	Typically -10° to +50°
Traverse sweep:	Adjustable traverse stops (to limit arcs of fire). ± 45° transitory transverse stops
Gunner Protection:	Ballistic front shield & (optional)
Ballistic Protection:	Stanag 4569 Level 1, 2 or 3
Spent cartridge & links:	Chutes and collection bag included

INTERFACE OPTIONS

- Pedestal
- Slewing Ring
- Bulkhead
- Vehicle roof
- Bulwark



ANF1

Buffered Mount 7.62 mm



DESCRIPTION

Designed for harsh naval and land systems environments, these lightweight mounts are manufactured from Stainless Steel and high strength Aluminium Alloy with minimal through-life schedule maintenance.

Buffered weapon cradle for reduced recoil and operator comfort.

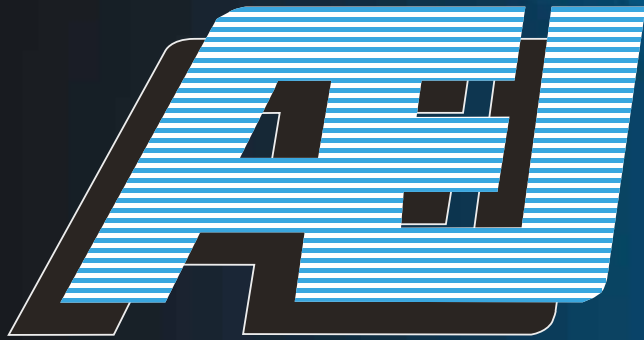
Spent cartridge case and link collection in all azimuth or elevation positions, the mount is lockable in any position and includes traverse and elevation trundle locks.

Traverse stops are adjustable and a $\pm 45^\circ$ transitory traverse stop is incorporated.

Two mount options are available;

- 'All-in-one' mount with traverse bearing housing
- G3 Cone Mount – for assembly to a G3 Cone Receiver (supplied separately or together)

The G3 Cone Receiver permits rapid change of weapon mounts to meet mission requirements. In every other respect, the mount options are identical.



AEI Systems Ltd

1 Kings Ride Park,
Ascot,
Berkshire.
SL5 8AP
United Kingdom



Tel: +44 (0) 1344 636200 | Fax: +44 (0) 1344 636205 | Email: sales@aei-systems.com | Web: www.aei-systems.com