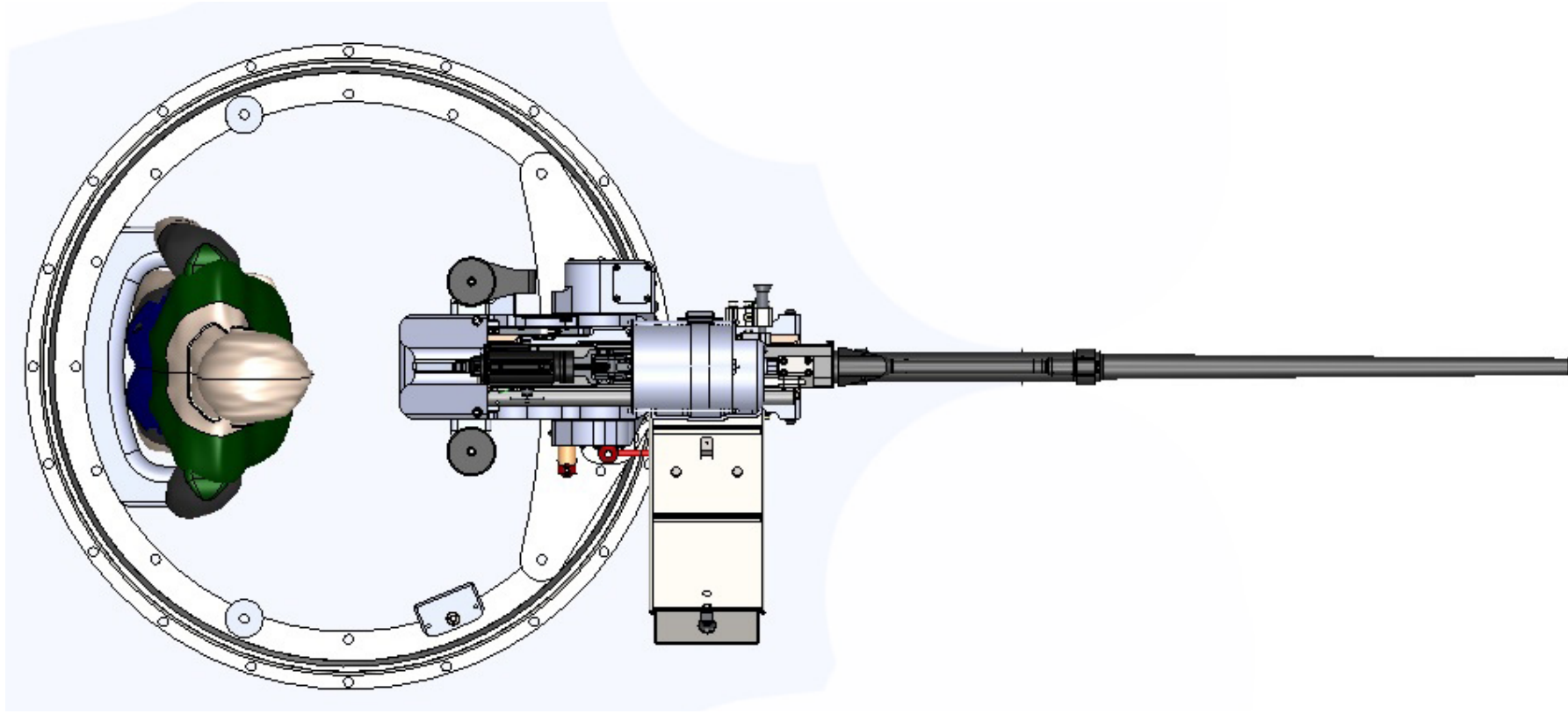
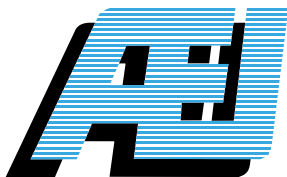


AE20 - VM2 RING MOUNT



Focused Technology Skilled Engineering



AE20 - VM2

HS804 Cannon



CANNON SPECIFICATION

- Cannon Type: HS804
- Calibre: 20 x 110 mm
- Rate of fire: 620 - 780 rpm
- Muzzle velocity: 835 m/s (2,740 ft/s)
- Range (max): 5,700 m (6,234 yds)
- Range (effective): 2,000 m (2,187 yds)
- Recoil force (max): 4.5 kN (1,012 lbf)
- Recoil force (mean): 1.6 kN (360 lbf)
- Weight of cannon (less magazine): 42.8 kgf (94.4 lbf)
- Weight of belt feed Drum magazine: 5.6 kgf (12.3 lbf)

THE MOUNT

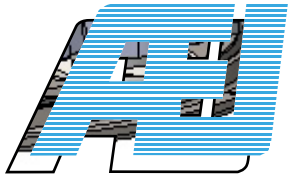
- Traverse arc: 360° with optional adjustable safety arc stops
- Elevation arc: -10° to +50°
- Swept radius: 1.68 m (66 in) at 0° elevation
- Height: 1 m (39.5 in) centre line from mounting base
- Weight (Less gun & ammunition): 75 kgf (165 lbf)

DESCRIPTION

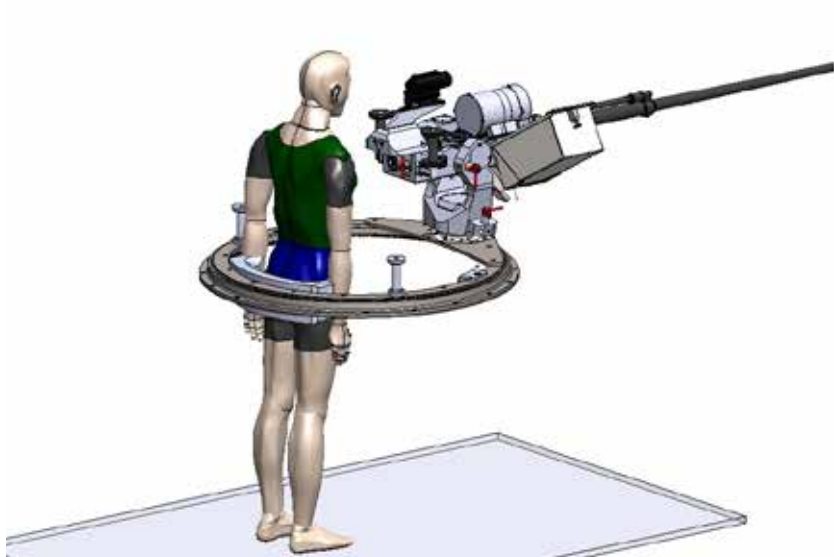
The AE20-VM2 is a lightweight all Aluminium vehicle weapon mount for the 20 mm HS804 gun. The mount accepts AEI's drum type belt feed mechanism and flexi-chute for prolonged target engagements. The mount also accepts AEI's lower profile 'flat' belt feed mechanism and can simply revert to accept AEI's linkless feed drum magazine associated with the AE20-NM naval mount.

The cradle is spring loaded to assist the operator engage elevated targets and balance the gun horizontally whilst vehicle trundling. The weapon mount can be readily fitted to the vehicle slewing ring, roof, bulkhead or pedestal.

The ammunition feed tank can be mounted to suit individual vehicle installations and linked to the mount with AEI's flex-chute.



AE20 - VM2 RING MOUNT



THE SLEWING RING

- Outside diameter: 1,198 mm
- Inside diameter: 984 mm
- Height: 56 mm
- Material: Steel or Aluminium

Total Weight (Less ammunition)

- Steel slewing ring: 222 kg
- Aluminium slewing ring: 178 kg

DESCRIPTION

The ring mounted 20mm Gun System is a complete solution manufactured by AEI Systems.

The lightweight Aluminium gun mount is counterbalanced to minimise intrusion into the crew served area and provides traverse and high elevation movement.

The gun mount is assembled to a manually operated slewing ring providing 360 degrees traverse.

A backrest, manual gearbox, ring locking brake, backrest and freewheel handgrips are fitted to the slewing ring.

Optional protective shields are available in Steel or composite armour materials.



AEI Systems Ltd

1 Kings Ride Park,
Ascot,
Berkshire.
SL5 8AP
United Kingdom

Tel: +44 (0) 1344 636200 | Fax: +44 (0) 1344 636205 | Email: sales@aei-systems.com | Web: www.aei-systems.com

